



WATER • TECHNOLOGY

Spare parts list

Revision number

Page 1

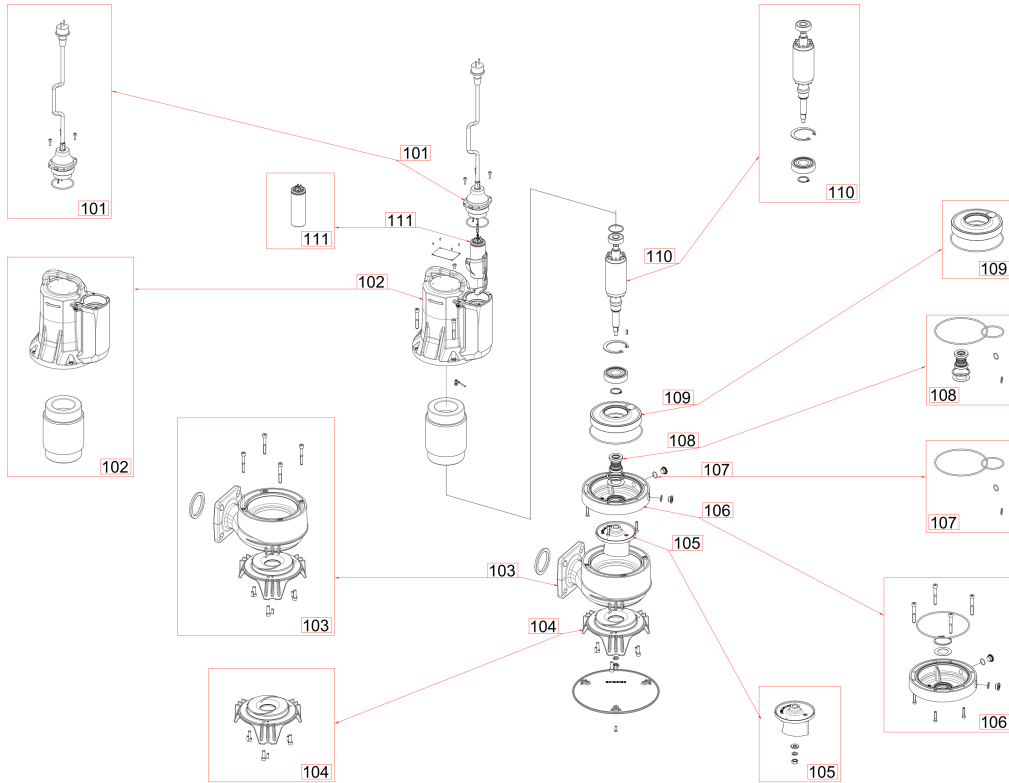
Company name
Dept.
Editor
Phone number
Fax no.
E-mail

Customer

Supplier

Model - Revision @ Code_Document version **Attention: check the correspondence with the revision of your product**

Pos.no	Description	Item no.	Qty.	UP / EUR
FEKA FXC 20.11 MNA 220-240/50 - N.1.- - @ 60191231_a,d				



101	(SP) CABLE COMP. H07RN8-F 3G1.5 10M SCHUKO DSA	SP00005735	1	Price on req.
102	(SP) MOTOR CASE MEC80 H80	SP00005741	1	Price on req.
103	(SP) PUMP BODY CHANNEL_11 DN50	SP00005773	1	Price on req.
104	(SP) BASE DN50	SP00005802	1	Price on req.
105	(SP) IMPELLER CHANNEL 1.1KW	SP00005785	1	Price on req.
106	(SP) FLANGE MEC80 2P D15	SP00005769	1	Price on req.
107	(SP) OR/GASKETS	SP00005811	1	Price on req.
108	(SP) SHAFT SEAL COM.D15 MG91-D1/15-G54 Q1Q1VFF-BVVFF	SP00005813	1	Price on req.
109	(SP) BEARING SEAT NOATEX D15 MACHINED	SP00005766	1	Price on req.
110	(SP) ROTOR SHAFT D.64.2X80 M NOATEX VX D15 DSA	SP00005752	1	Price on req.
111	(SP) CAPACITOR 25 UFX420V D.45X75MM ALU	SP00005749	1	Price on req.

Project

Creation software

Issue date

Last update

Spaix® 5-2022.4 - 2023/10/24 (E

2023-11-09

2023-11-09